

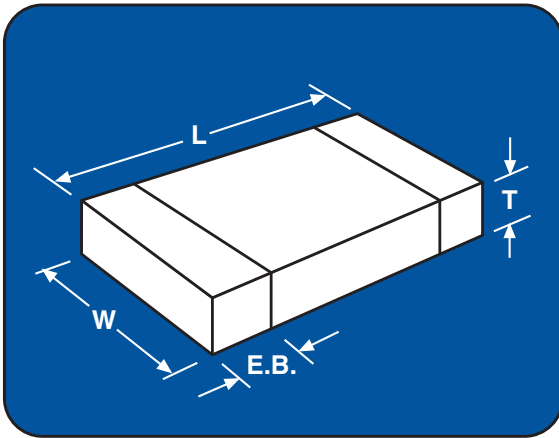
# NPO High Voltage Ceramic Chip Capacitors

## 500VDC - 10000VDC



### General Specifications

NPO



<b>Capacitance Range</b>	56pf-.12μF(+25°C,1.0Vrms,1KHz)
<b>Capacitance Tolerance</b>	+/-1,2,5,10,20%,+80/-20%
<b>Temperature Coefficient</b>	+/- 30ppm/ C, from -55° C to 125° C .15% max.
<b>Dissipation Factor</b>	(+25° C, 1.0Vrms, 1KHz)
<b>Voltage Ratings</b>	500Vdc to 10,000 Vdc
<b>Dielectric Withstanding Voltage</b>	1.2x rated voltage (100mA max.)
<b>Insulation Resistance (min.)</b>	100K megohms or 1K megohms-mfd at 25° C, whichever is less 10,000 megohms or 100 megohms-mfd at 125° C, whichever is less
<b>Termination Type</b>	Palladium Silver (100% Silver available upon request)

### Style and Size Information (All dimensions are in inches)

STYLE	LENGTH(L)	WIDTH(W)	MAX THICKNESS(T)	ELECTRODE BAND (E.B.) MAX.
1515	.150+/- .015	.150+/- .015	.100	.025
1808	.180+/- .015	.080+/- .010	.070	.025
1812	.180+/- .015	.120+/- .015	.110	.025
1825	.180+/- .015	.250+/- .020	.150	.025
2020	.200+/- .020	.200+/- .020	.150	.025
2225	.220+/- .020	.250+/- .020	.180	.025
2520	.250+/- .020	.200+/- .020	.180	.025
3530	.350+/- .030	.300+/- .030	.200	.030
4040	.400+/- .030	.400+/- .030	.200	.030
4540	.450+/- .030	.400+/- .030	.200	.030
5550	.550+/- .030	.500+/- .030	.200	.030
6560	.650+/- .030	.600+/- .030	.200	.030
8580	.850+/- .030	.800+/- .030	.200	.030
11050	1.100+/- .030	.500+/- .030	.200	.030
13060	1.300+/- .030	.600+/- .030	.200	.030

### NPO MAXIMUM CAPACITANCE

STYLE	MIN	500V MAX	1000V MAX	2000V MAX	3000V MAX	4000V MAX	5000V MAX	10000V MAX
1515	100 pf	3300 pf	1800 pf	270 pf				
1808	56 pf	2200 pf	820 pf	56 pf				
1812	100 pf	3900 pf	1800 pf	270 pf				
1825	100 pf	.01 μF	3900 pf	1000 pf				
2020	100 pf	.01 μF	3900 pf	1000 pf	560 pf			
2225	100 pf	.015 μF	.010 μF	1200 pf	680 pf			
2520	100 pf	.012 μF	5600 pf	1200 pf	680 pf			
3530	100 pf	.033 μF	.018 μF	3300 pf	2200 pf	680 pf		
4040	100 pf	.047 μF	.022 μF	5600 pf	3300 pf	1200 pf		
4540	100 pf	.056 μF	.027 μF	5600 pf	3900 pf	1500 pf	1000 pf	
5550	560 pf	.1 μF	.047 μF	.012 μF	6800 pf	2700 pf	2200 pf	
6560	1000 pf	.12 μF	.068 μF	.018 μF	.01 μF	3900 pf	2700 pf	
8580	1000 pf		.12 μF	.027 μF	.018 μF	6800 pf	5600 pf	
11050	1000 pf			.022 μF	.015 μF	4700 pf	3900 pf	1000 pf
13060	1500 pf			.033 μF	.022 μF	.01 μF	6800 pf	1500 pf

### How To Order

(Custom sizes and values available, contact factory)

**102**  
Voltage  
501 = 500  
102 = 1000  
202 = 2000  
302 = 3000  
402 = 4000  
502 = 5000  
103 = 10,000

**C**  
Configuration  
C = Chip

**4540**  
Style

**A**  
Dielectric Type  
A = NPO

**103**  
Capacitance Value  
Capacitance In PicoFarads  
Last Digit is the Number of Zeros  
ie, 103 = 10,000 pf

**K**  
Tolerance  
F = ± 1%  
G = ± 2%  
J = ± 5%  
K = ± 10%  
M = ± 20%  
Z = + 80/- 20%  
P = GMV

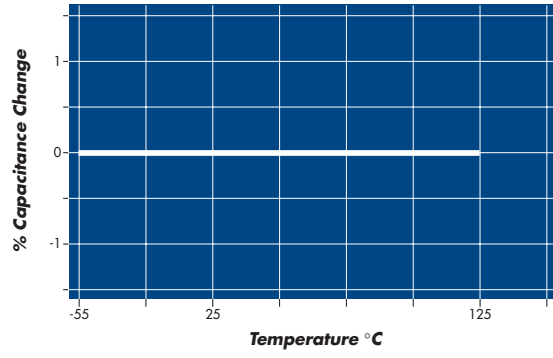
### CIRCUIT FUNCTIONS, Inc.

2282 Mouton Drive • Carson City, Nevada 89706 • (775) 885-8003 • Fax (775) 885-9943

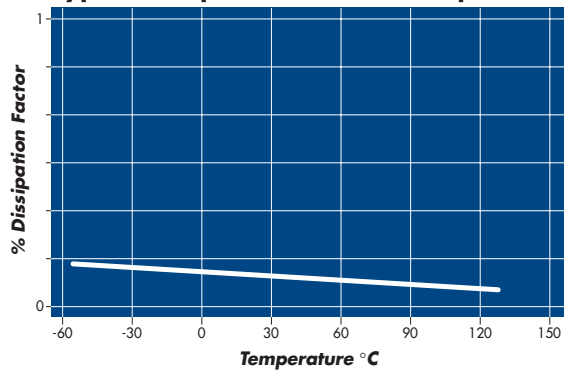
www.circuitfunctions.com

Data Sheet Rev A

### Temperature Coefficient of Capacitance



### Typical Dissipation Factor vs. Temperature



### Minimum Insulation Resistance vs. Temperature and Capacitance

